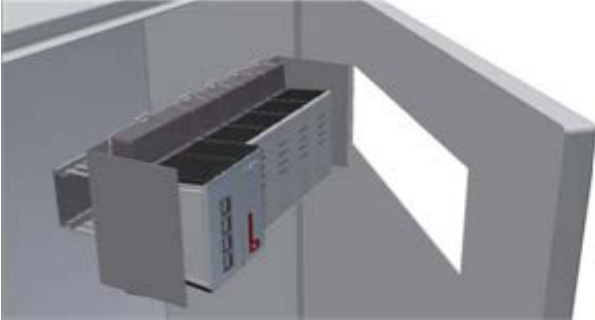


> PRIVA BLUE ID S-LINE PANEL DOOR BRACKET+COVER



A Panel door bracket+cover allows you to operate the I/O manually, without opening the control panel. The set comprises a frame for I/O modules that can be installed horizontally in the panel door of a control panel, and a cover that is attached over the cut-out in the panel door. The cover is protected by a lock. This prevents unauthorized persons gaining access to the I/O modules.

Characteristics

- I/O modules with manual override are accessible without opening the control panel
- LEDs on modules are visible without opening the control panel
- closed housing, protected by a lock
- easy, horizontal installation in panel door
- available in various dimensions
- protects the system wiring
- dust and waterproof (IP54)

Operating

Using a Panel door bracket+cover allows you to grant personnel without access to a control panel access to the relevant parts of the system that are installed in the Panel door bracket+cover. This allows personnel to read LEDs and, if required, manually override the system using the buttons.

Simple installation

The frame with the I/O modules is installed recessed into the panel door on the control panel and is closed with a cover. This installation method means that the I/O modules cannot be removed without opening the control panel. You can position a number of frames one below the other in the door of the control panel.

The frame hinges to make installation and maintenance easier.

Sets are available in various dimensions.



The sets are geared towards Rittal control panels with specific dimensions, but can also be integrated into control panels with other dimensions or from other manufacturers. When installing in other control panels it is important that there is sufficient space for the cut-out. Additional mounting material may be needed. These are not supplied by Priva.

A BE module is required per set. You have to order a BE module separately.

Security

With a Panel door bracket+cover only the relevant parts are accessible. An unauthorized person cannot, therefore, reach the system wiring. The dust and waterproof installation prevents damage and short-circuiting.

Panel door bracket+cover specifications

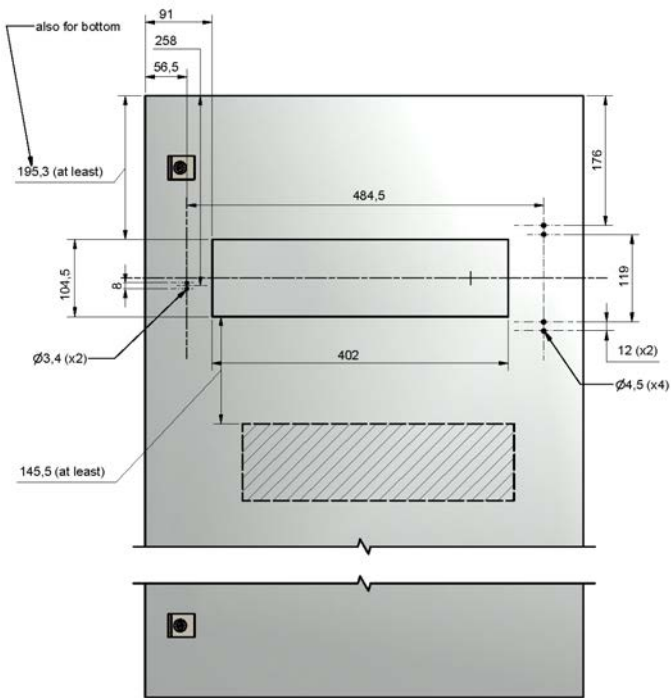
General				
Article description	Priva Blue ID S-Line Panel door bracket+cover 466 mm - single door 600 x 380-1000 mm	Priva Blue ID S-Line Panel door bracket+cover 666 mm - single door 800 x 1000 mm	Priva Blue ID S-Line Panel door bracket+cover 379 mm - double door (left) 1000 x 1000-1200 mm	Priva Blue ID S-Line Panel door bracket+cover 348 mm - double door (right) 1000 x 1000-1200 mm
Article number	5090213	5090223	5090232	5090233
Control panel dimensions	width: 600 mm, height: 380 – 1000 mm	width: 800 mm, height: 1000 mm	width: 1000 mm, height: 1000 – 1200 mm, left-hand door	width: 1000 mm, height: 1000 – 1200 mm, right-hand door
Available space for DIN-rail	466 mm	666 mm	379 mm	348 mm
Frame dimensions	541 x 223 x 100 mm	741 x 223 x 100 mm	454 x 223 x 100 mm	423 x 223 x 100 mm
Weight of frame	6.2 kg	7.5 kg	5.4 kg	5.2 kg
Cover dimensions	500 x 200 x 48 mm	600 x 200 x 48 mm	400 x 200 x 48 mm	
Weight of cover	1.4 kg	1.6 kg	1.2 kg	
Frame material	Stainless steel <ul style="list-style-type: none"> • AISI 304 (frame) • St.St.A2-70 (screws) • St.St.A2 (locknuts) 			
Cover material	acrylic glass (window) die-cast aluminium (frame)			
Edge protection material	PVC			
Colour of cover window	smoked			
Type of lock on cover	3524 E security lock with key			
Installation	horizontally in panel door ¹⁾			
Permitted thickness of panel door	1 – 5 mm			

¹ The Panel door bracket+cover must not be integrated into a door or wall of a control panel that must comply with CSA C22.2 no 94.1 or UL 50.

Installation dimensions for Priva Blue ID Panel door bracket+cover 466 mm

The figure shows the dimensions for installing a Priva Blue ID Panel door bracket+cover 466 mm in a single door Rittal cabinet 600 mm wide.

i The dimensions between the cut-out and the edge of the door are minimum distances when installing the Panel door bracket+cover in a cabinet from another manufacturer or in a Rittal cabinet with other dimensions.

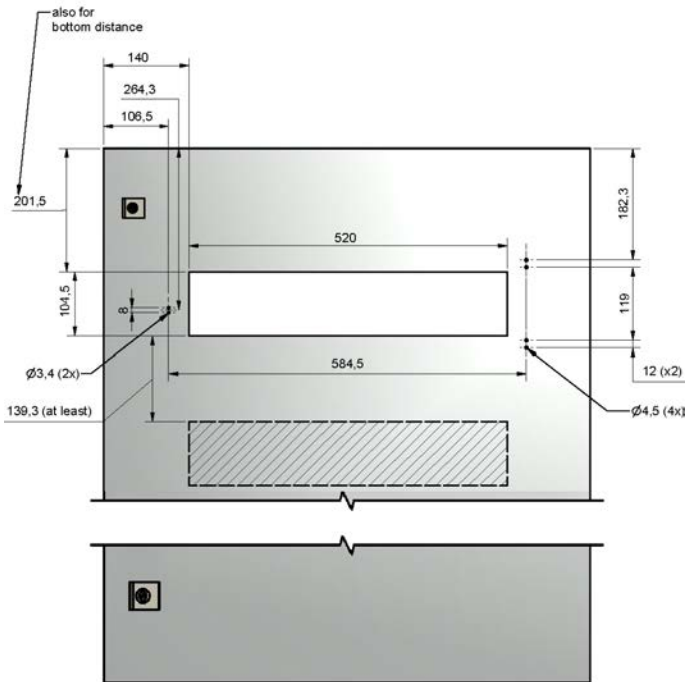


Installation dimensions for Priva Blue ID Panel door bracket+cover 666 mm

The figure shows the dimensions for installing a Priva Blue ID Panel door bracket+cover 666 mm in a single door Rittal cabinet 800 mm wide.



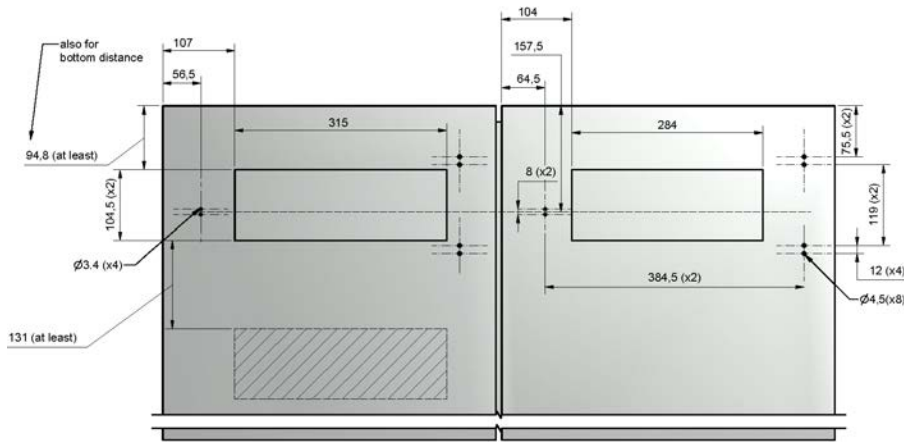
The dimensions between the cut-out and the edge of the door are minimum distances when installing the Panel door bracket+cover in a cabinet from another manufacturer or in a Rittal cabinet with other dimensions.



Installation dimensions for Priva Blue ID Panel door bracket+cover 379 mm and 348 mm

The figure shows the dimensions for installing a Priva Blue ID Panel door bracket+cover 379 mm and 348 mm in a double door Rittal cabinet 1000 mm wide.

i The dimensions between the cut-out and the edge of the door are minimum distances when installing the Panel door bracket+cover in a cabinet from another manufacturer or in a Rittal cabinet with other dimensions.



Priva (head office)
Zijlweg 3
2678 LC De Lier
The Netherlands

Your Priva partner:

See www.priva.com for contact information of a Priva office or partner for your region.

