

> DALI-S2R CONVERTER

Roombus



The Priva DALI-S2R converter is a serial Roombus to DALI (Digital Addressable Light Interface) converter.

Characteristics

- integrated DALI power supply
- 2 DALI groups for 16 DALI lamps in total
- operate via Touchpoint control units
- easy to install without configuration and installation testing with test button
- immediately ready for use in a Roombus configuration

Integrated DALI power supply

The DALI-S2R converter has 2 DALI ports. The converter supplies a maximum of 20 mA per port.

2 DALI groups for 16 DALI lamps in total

A maximum of 8 DALI lamps (2 ± 0.5 mA per lamp) can be connected per port.

Specifications

General	
Article	Priva DALI-S2R converter
Article number	400340
Dimensions (HxWxD)	90.2 x 71.2 x 57.8 mm (4TE)
Weight	125 g
Assembly	on a 35 mm EN50022 DIN rail
Maximum number of DALI-S2R converters in one Roombus	3

Accessories (supplied)

Article	Roombus interface patch cable
Length	25 cm
Colour	black

Operate via Touchpoint control units

The lamps can be operated with the Touchpoint control units that are connected to the Comforte CX2 and Comforte CX2 VAV via the Roombus interface.

Easy to install without configuration and installation testing with test button

Installation is easy. Connect the lamps of a group to the DALI port of the associated group. Next, use the test button to test whether the lamps have been connected properly.

The DALI lamps are controlled via broadcast. As a result, the DALI addresses do not have to be configured for each DALI lamp. The lamps that have been connected to a port cannot therefore be controlled individually, but behave in the same way.

Immediately ready for use in a Roombus configuration

Via the Roombus interface, the device can be immediately included in a Roombus configuration with a Comforte CX2 or Comforte CX2 VAV. The DALI lamps are controlled via the Roombus interface.

A Roombus device is set in such a way that it is immediately ready for use in a default Roombus configuration. If more than one instance of the same type is included in a Roombus configuration, the Roombus addresses must be changed so that each instance has a unique address. Thus, with more than one DALI-S2R, the Roombus addresses must be changed so that each DALI-S2R has a unique address. Change the Roombus address of a DALI-S2R with the DIP switches and in TC Engineer.

Roombus connectors (2x)	
Type of connectors	RJ45
Interface	RS-485
Maximum supply voltage	12 - 36 VDC ($\pm 10\%$)
Maximum supply current	106 mA at 16 VDC (power supply from a Comforte base module) 72 mA at 24 VDC (power from a Roombus power supply module)
Maximum used power	2 W
Maximum bus load	2%

DALI ports (2x)	
Type of connector	2-pin plug-in screw connector (polarity-free)
Insulation	the ports are electrically isolated from the Roombus and from each other
Maximum output voltage	14 ... 18 V
Maximum output current	20 mA per port
Maximum number of DALI lamps	8 per port
Permitted core cross section area	0.2 ... 2.5 mm ²
Strip length/connector length	8 mm



Status LEDs		
POWER	Green:	the module is operating correctly
	Red:	module start-up error or internal module error
	Flashing green:	test mode on
RS485 TX	Yellow:	Tx indication (Roombus output)
RS485 RX	Yellow:	Rx indication (Roombus input)
DALI PS	Yellow:	internal DALI power supply on

DALI TEST button	
Activate test mode	Press the DALI TEST button for 5 s (POWER LED: flashing green)
Deactivate test mode	Press the DALI TEST button for 5 s, or it is automatically deactivated after 5 min (POWER LED: green on)
Test mode	During test mode, repeatedly: <ul style="list-style-type: none"> • 3 s: lamps of group 1 on, lamps of group 2 off • 6 s: lamps of group 1 off, lamps of group 2 on

Housing	
Material	PPO (polyphenylene oxide)
IP code	IP20 (IEC 60529)
Flammability class	UL94 V-0
Recycle code	7
Colour	Grey RAL7035

Environment	
Permissible temperature during operation	0 ... 60 °C
Permissible temperature during storage	-20 ... 85 °C
Permissible air humidity during operation and storage	25 ... 90% rH (non-condensing)

Regulations and standards

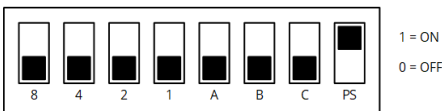
Europe		<ul style="list-style-type: none"> Low Voltage Directive (2014/35/EU): <ul style="list-style-type: none"> EN 61010-1 (general requirements) EN 61010-2-201 (particular requirements for control equipment) EMC Directive 2014/30/EU: <ul style="list-style-type: none"> EN 61326-1 (EMC requirements) EN 61000-6-2 (generic immunity standard) EN 61000-6-3 (generic emission standard) RoHS Directive 2011/65/EU
		<ul style="list-style-type: none"> WEEE directive 2012/19/EU

Roombus addressing

Addressing

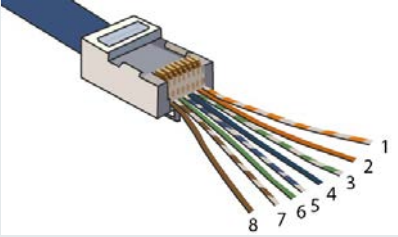
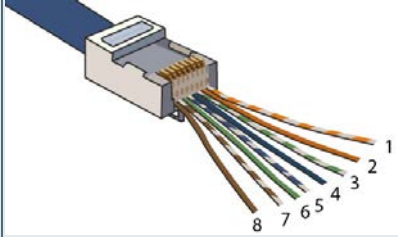
Structure of address	fixed address offset + adjustable address section
Fixed address offset	64
Adjustable address section	0 - 15
Available address range	64 ... 79

DIP-switches



Label	Description	Example
8	device address (bit 3, MS bit)	+8 address offset + 0 - 0 - 0 - 0 = 64 (default setting)
4	device address (bit 2)	+4 address offset + 0 - 0 - 0 - 1 = 65
2	device address (bit 1)	+2 address offset + 0 - 1 - 0 - 1 = 69
1	device address (bit 0, LS bit)	+1 address offset + 1 - 1 - 1 - 1 = 79
A	baud rate (bit 1)	A - B = 0 - 0 = 115200 baud (default setting)
B	baud rate (bit 0)	A - B = 0 - 1 = 57600 baud A - B = 1 - 0 = 19200 baud A - B = 1 - 1 = 9600 baud
C	parity	0 = even (default setting) 1 = none
PS	DALI power supply	0 = off 1 = on (default setting)

Connection specifications

Description	DALI-S2R converter connectors	Roombus connectors
	RJ45 connector (2x) 	RJ45 connector (2x) 
+ of power supply	pin 1 (orange/white)	pin 1 (orange/white)
GND of power supply and RS485	pin 2 (orange)	pin 2 (orange)
RS485-A	pin 3 (green/white)	pin 3 (green/white)
RS485-B	pin 6 (green)	pin 6 (green)

Priva (head office)
Zijlweg 3
2678 LC De Lier
The Netherlands

Your Priva partner:

See www.priva.com for contact information of a Priva office or partner for your region.

